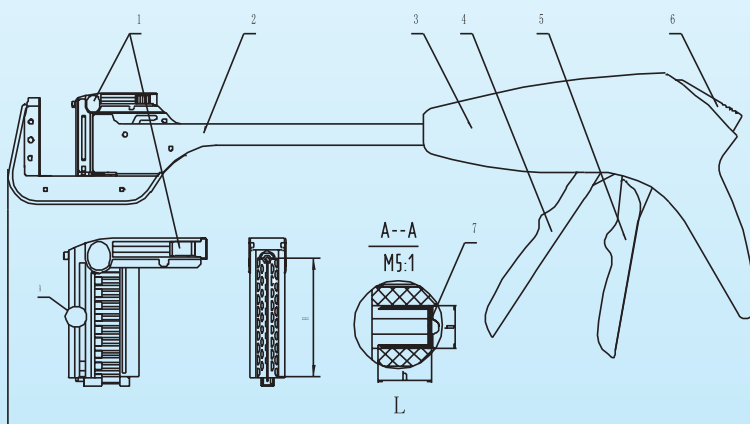


Disposable Multifunction Cutting Linear Stapler



- 1 Cartridge
- 2 Instrument Body
- 3 Handle
- 4 Firing Handle
- 5 Closing Handle
- 6 Release Button
- 7 Staple

Disposable Multifunction Cutting Linear Stapler

The Disposable Multifunction Cutting Linear Staplers have applications in gastrointestinal procedures for the resection or transection of tissue.

The Disposable Multifunction Cutting Linear Stapler is designed on the principles of surgical staplers. It delivers four staggered rows of staples, anastomoses the tissue and cuts in the middle during surgical procedures.

Article	Order No.	Number of Staples	Leg Height
SBQ-F40Z	SBQ-F40Z	38	3.8 mm
SBQ-F40H	SBQ-F40H	38	4.5 mm

CE 0197