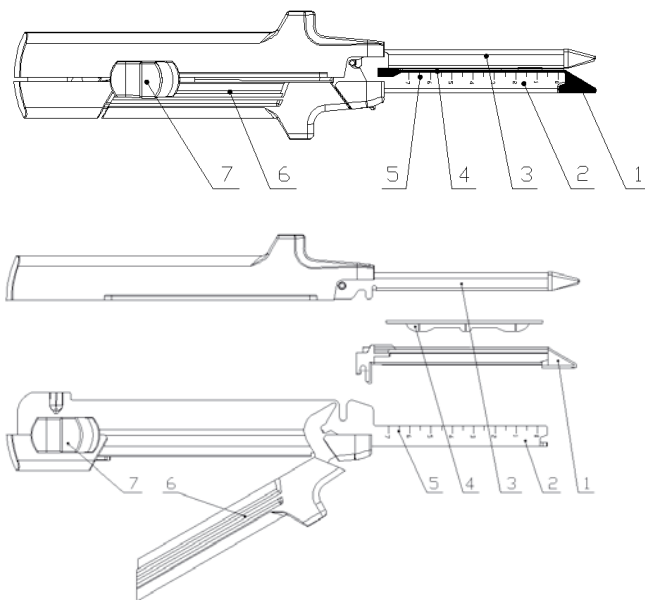


LINEAR CUTTER



Einweg - Klammerinstrument mit Titanklammern



1. Magazin
2. Magazingehäuse
3. Andruckplatte
4. Schutz
5. Skala
6. Aktivierungshandgriff
7. Auslöseknopf

Lieferbare Größen: 55 mm / 75 mm / 100 mm

Artikel	Instrument Code Nr.	Magazin Code Nr.	Gewebedicke*	Schenkellänge*	Zahl der Klammern	Magazinfarbe
LCA QHB-55	QHB55	QCB55	1,5	3,85	56	blau
LCA QHH-55	QHH55	QCH55	2,0	4,50	56	grün
LCA QHB-75	QHB75	QCB75	1,5	3,85	76	blau
LCA QHH-75	QHH75	QCH75	2,0	4,50	76	grün
LCA QHB-100	QHB100	QCB100	1,5	3,85	100	blau
LCA QHH-100	QHH100	QCH100	2,0	4,50	100	grün

Linear Cutter: LCA (Linear Cutting Anastomosis)

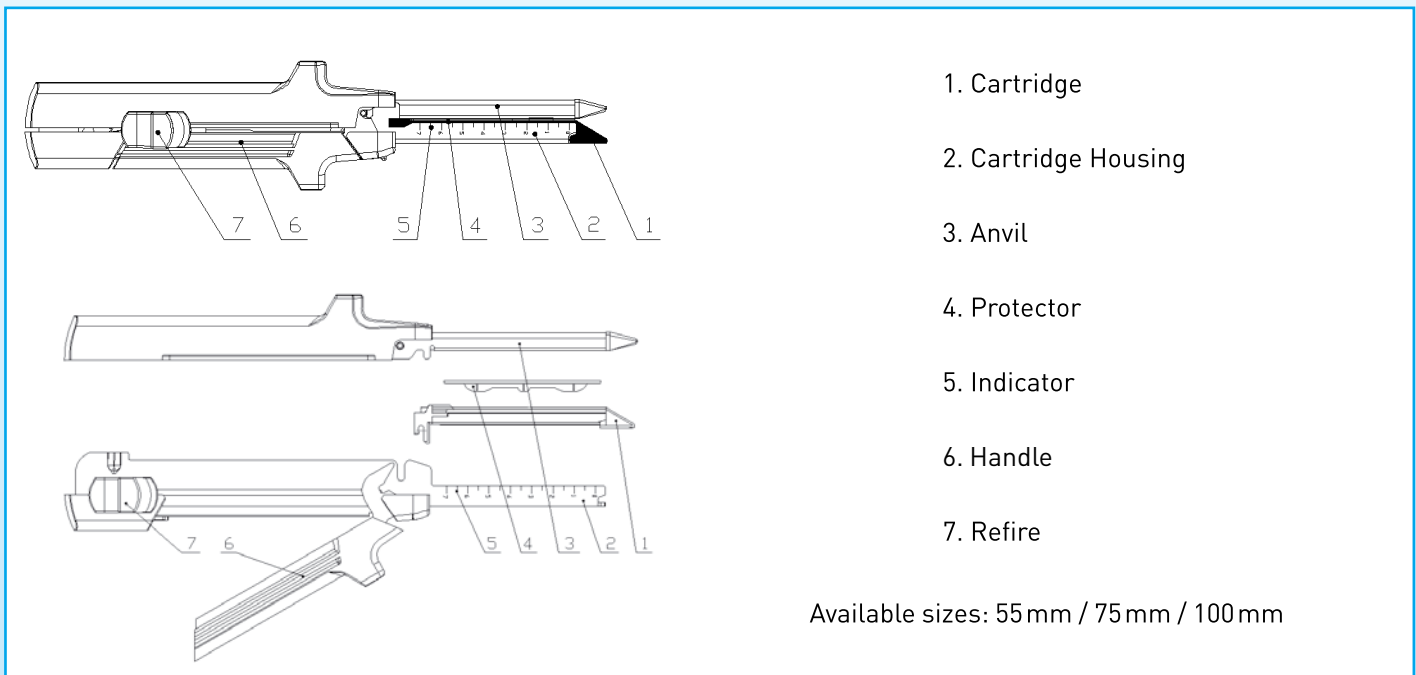
*mm



LINEAR CUTTER



Disposable Stapler with Titanium Staples



- 1. Cartridge
- 2. Cartridge Housing
- 3. Anvil
- 4. Protector
- 5. Indicator
- 6. Handle
- 7. Refire

Available sizes: 55 mm / 75 mm / 100 mm

Article	Instrument Code No.	Cartridge Code No.	Tissue Thickness*	Leg Height*	Number of Staples	Cartridge color
LCA QHB-55	QHB55	QCB55	1.5	3.85	56	blue
LCA QHH-55	QHH55	QCH55	2.0	4.50	56	green
LCA QHB-75	QHB75	QCB75	1.5	3.85	76	blue
LCA QHH-75	QHH75	QCH75	2.0	4.50	76	green
LCA QHB-100	QHB100	QCB100	1.5	3.85	100	blue
LCA QHH-100	QHH100	QCH100	2.0	4.50	100	green

Linear Cutter: LCA (Linear Cutting Anastomosis)

*mm

